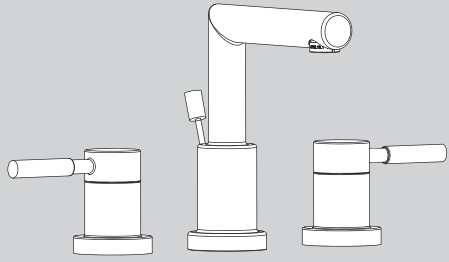


INSTRUCTIONS FOR MODELS

SB-1021
SB-1021-E



NEED HELP?

For additional assistance or service please contact:

SPEAKMAN® Company
400 Anchor Mill Road
New Castle, DE 19720

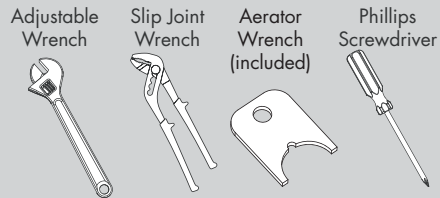
800-537-2107

customerservice@speakman.com

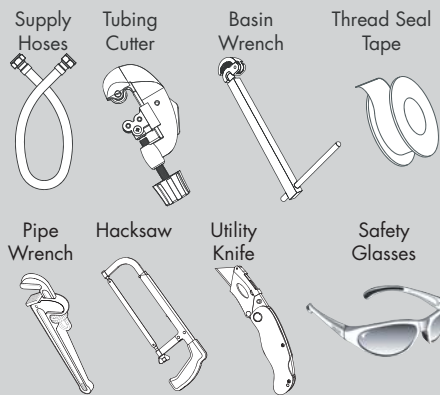
www.speakman.com

92-SB-1021-05

TOOLS AND SUPPLIES



HELPFUL TOOLS & SUPPLIES:



IMPORTANT

- Do not over-tighten any connections or damage may occur.
- Be sure to read instructions thoroughly before beginning installation.
- This faucet has an operating range of 20-80 psi.

SAFETY TIPS

Cover your drain to prevent loss of parts. Be sure to wear eye protection while cutting pipe.

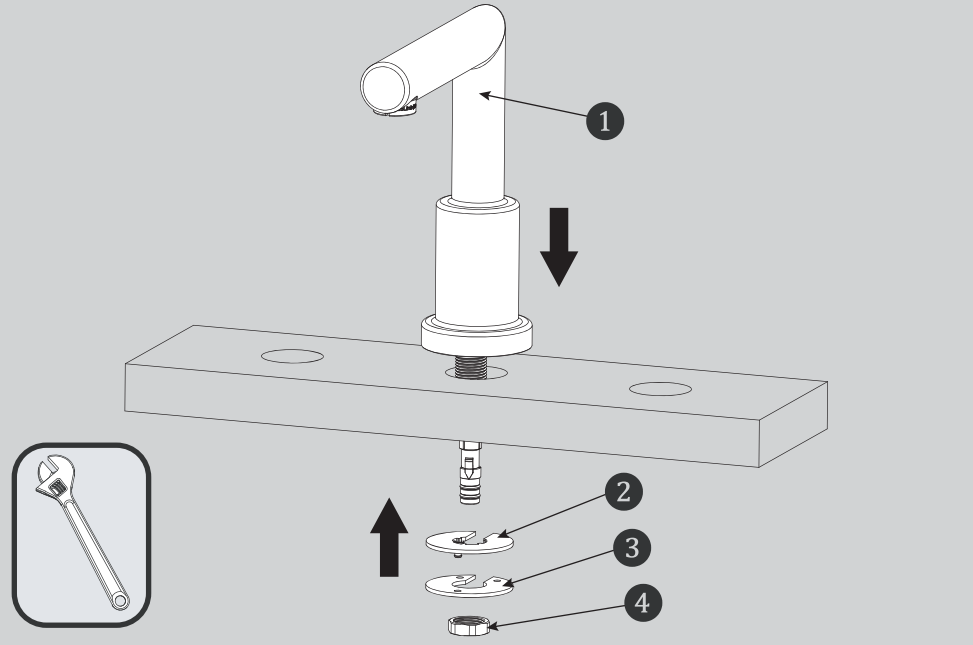
MAINTENANCE

Your new Speakman Product is designed for years of trouble-free performance. Keep it looking new by cleaning it periodically with a soft cloth. The use of harsh chemicals and abrasives on any of the Speakman custom finish products may damage the finish and void the product warranty. Please be sure to only use approved cleaners. Please contact Speakman for any clarification of acceptable cleaners.

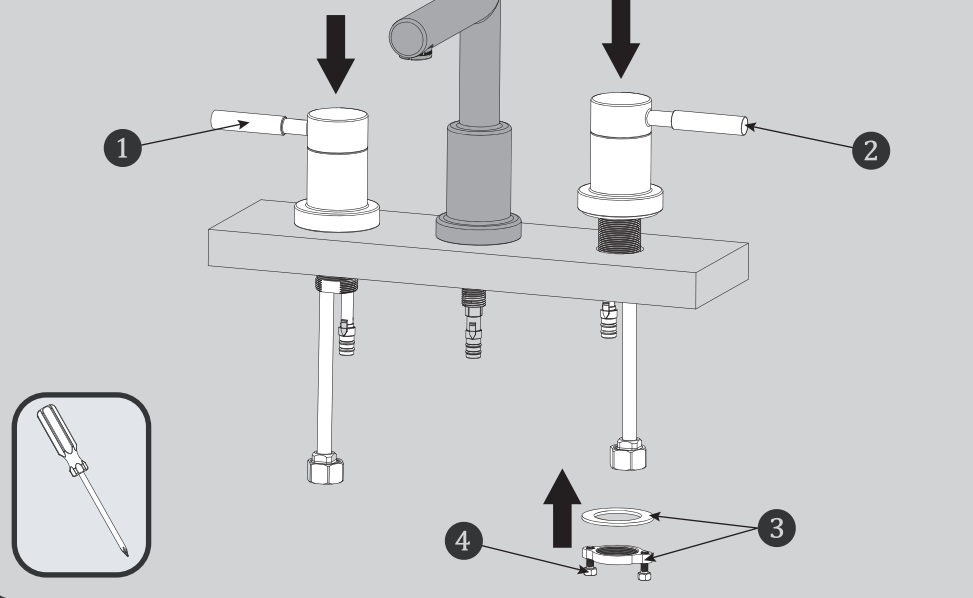
WARRANTY

Additional warranty information can be found at: www.speakman.com

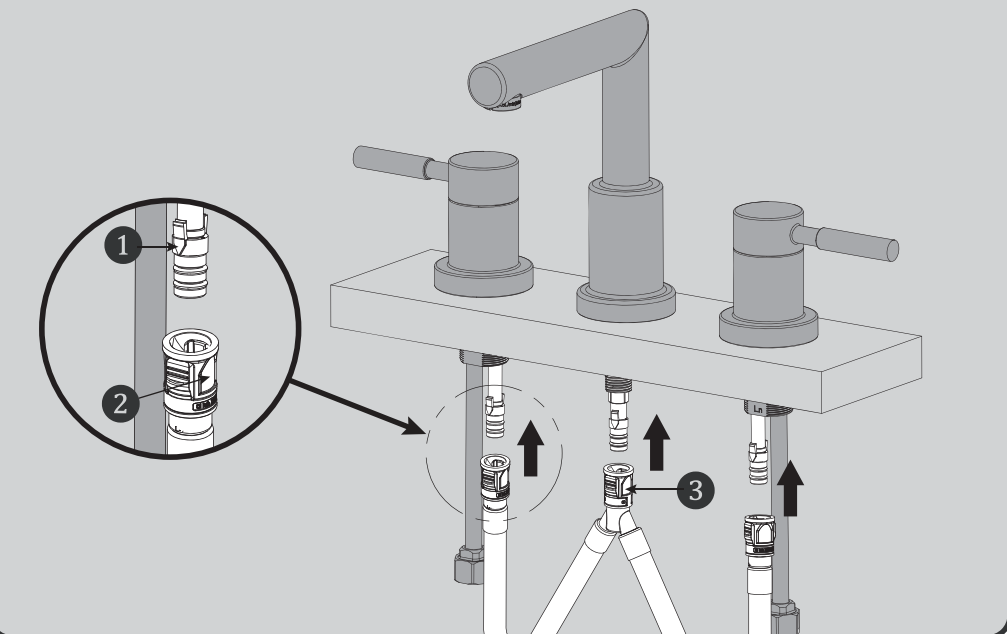
1 Shut off water supplies. Remove old faucet. Clean sink surface in preparation for new faucet. Place Spout **1** thru center mounting hole. Secure Spout with Rubber Washer **2**, Metal Washer **3** and Nut **4**.



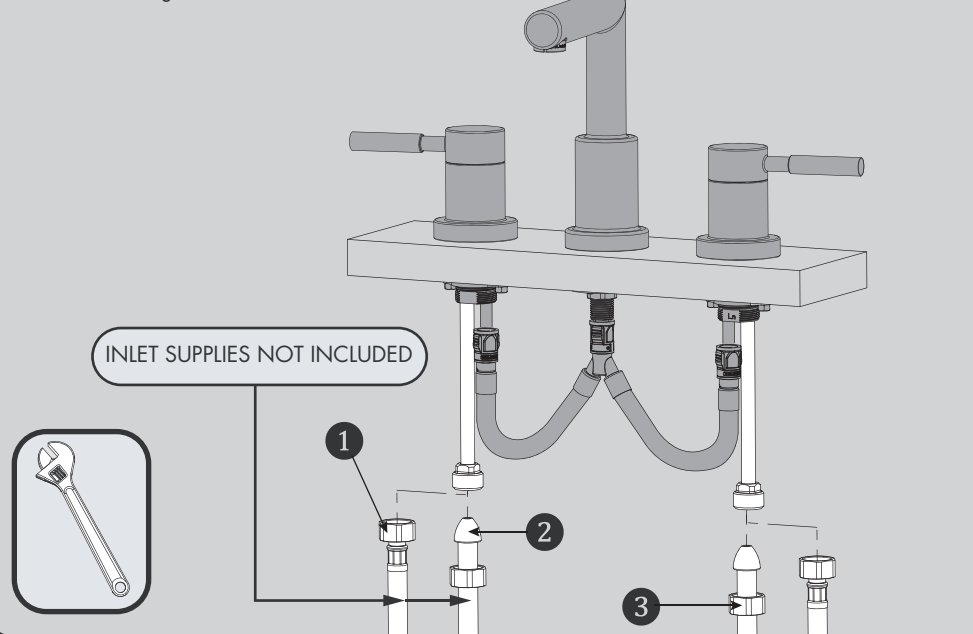
2 Slide **HOT 1** and **COLD 2** End Valves thru mounting holes. Make sure long tubes are installed facing away from spout. **Note: Hot Side end valve is labeled.** Secure end valves with Washers and Nuts **3**. Hand tighten Nuts onto shank. Properly align handles in the "OFF" position. Lock nuts into position by tightening Screws **4**.



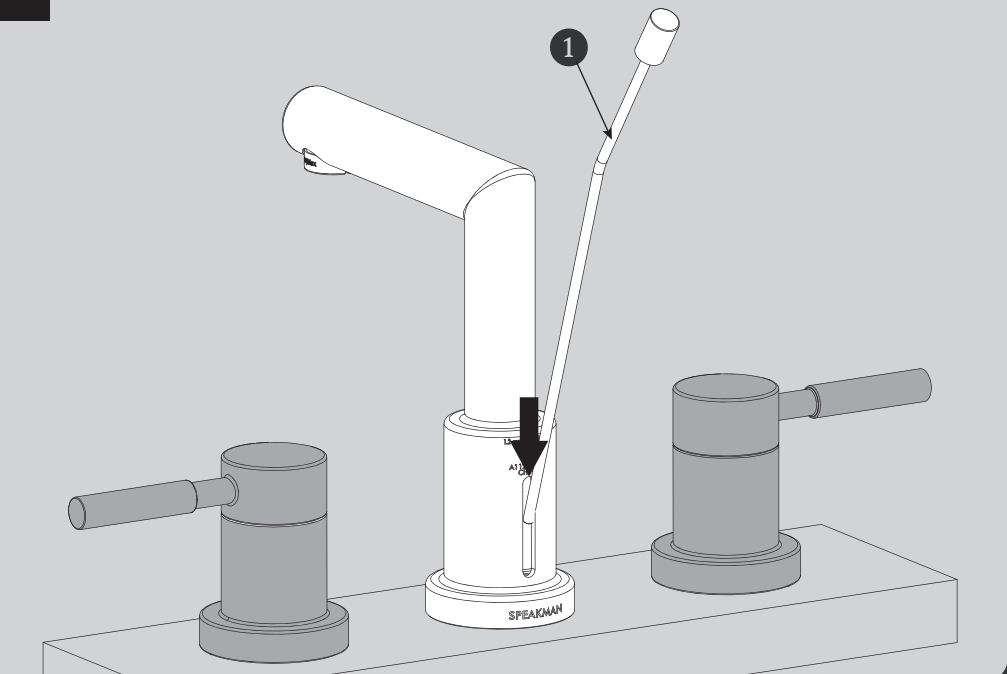
3 Align Tabs **1** and **2** on Quick Connects **3**. Push Quick Connect housing firmly upward and snap onto receiving tub tab. Pull down moderately to ensure connection has been made. If it is necessary to remove quick connect, squeeze tabs on hose between index finger and thumb, then pull down to disconnect.



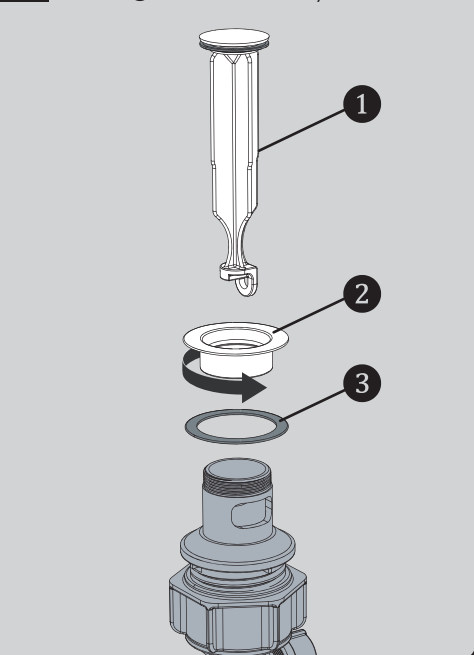
4 Make connections to water lines. Use 1/2" IPS faucet connections (not supplied) **1** or use the supplied coupling nuts **3** with 3/8" O.D. ball nose risers (not supplied) **2**. Use wrenches to tighten connections. Do not overtighten.



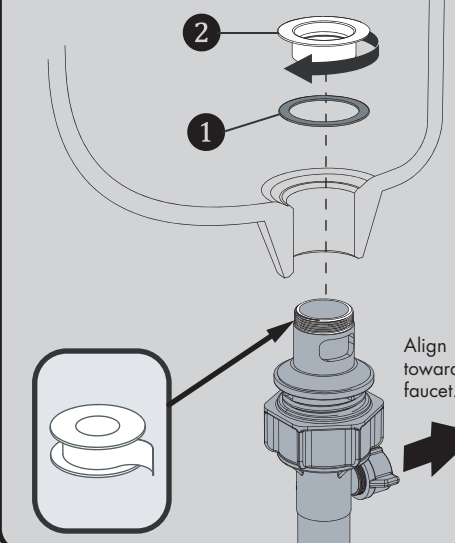
5 Insert Lift Rod **1** down into the slot in the back of the Spout. Orient Lift Rod as shown below.



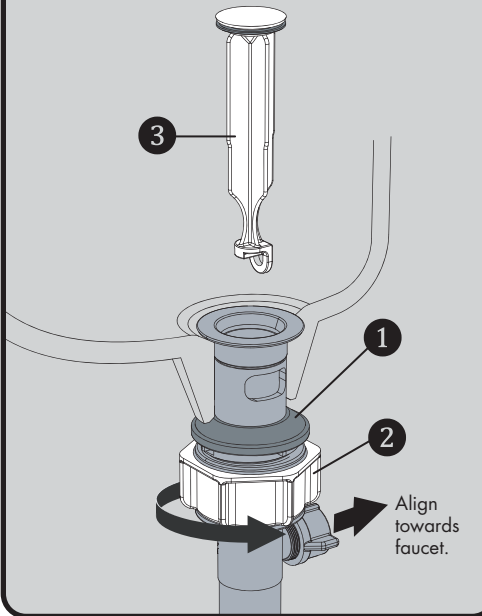
6 Remove Stopper **1**, Flange Nut **2**, and Flange Washer **3** from Drain Assembly.



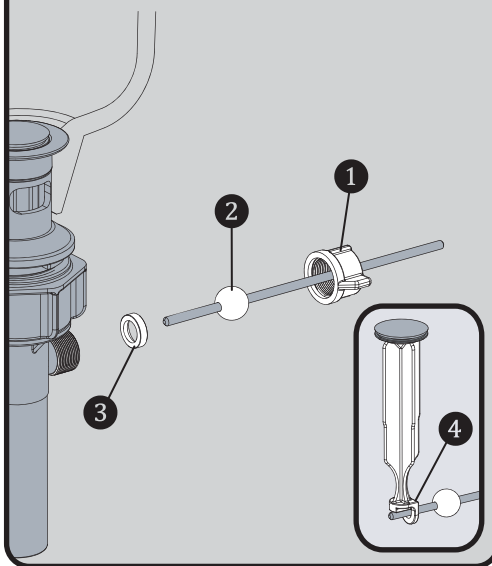
7 Apply Thread Seal Tape to threaded area of the Drain Body. From beneath, insert Drain Assembly through drain hole in sink. Attach supplied Flange Washer **1** or plumber's putty to the underside of the Flange **2**. Secure Flange **2** to the Drain Assembly. Align the Drain Assembly as shown below.



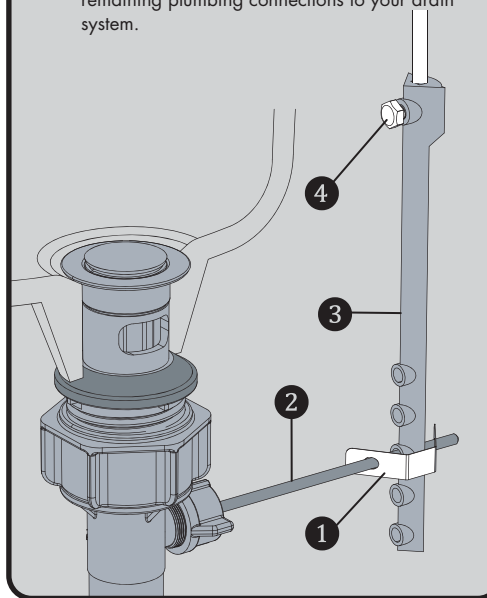
8 From beneath, secure Rubber Washer **1**, by hand-tightening Nut **2** as shown below. Place Stopper **3** into drain with the engagement tab at rear as shown below.



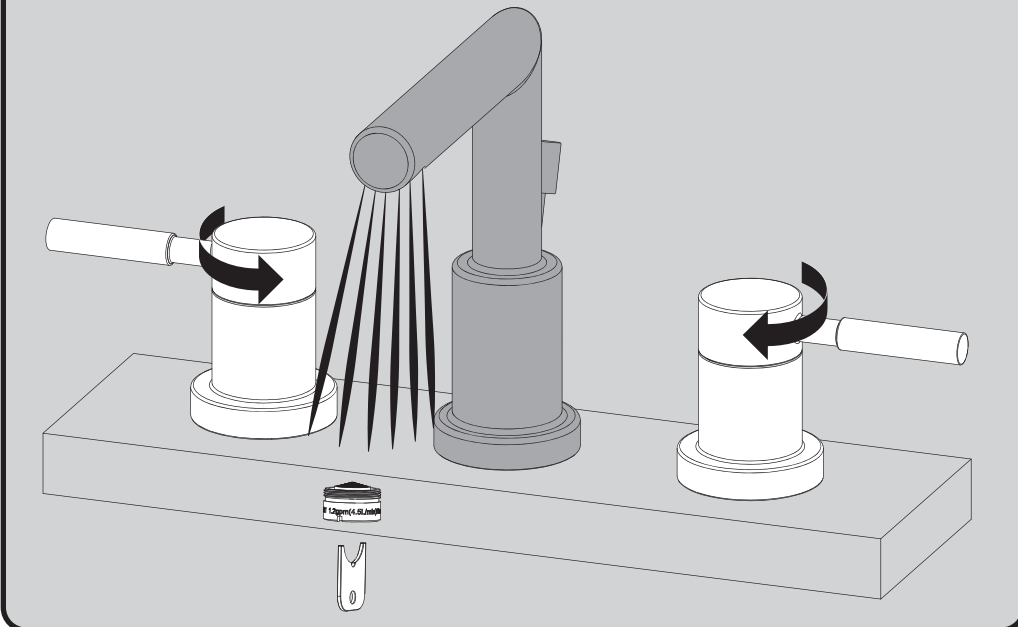
9 Remove Pivot Nut **1**, from Drain Assembly. Install Pivot Rod **2**, and ensure that Inner Pivot Washer **3** is retained in Drain Assembly. Insert Pivot Rod into Drain Assembly and install Stopper **4** as non-removable. Secure Pivot Rod to Drain Assembly by tightening Pivot Nut **1**.

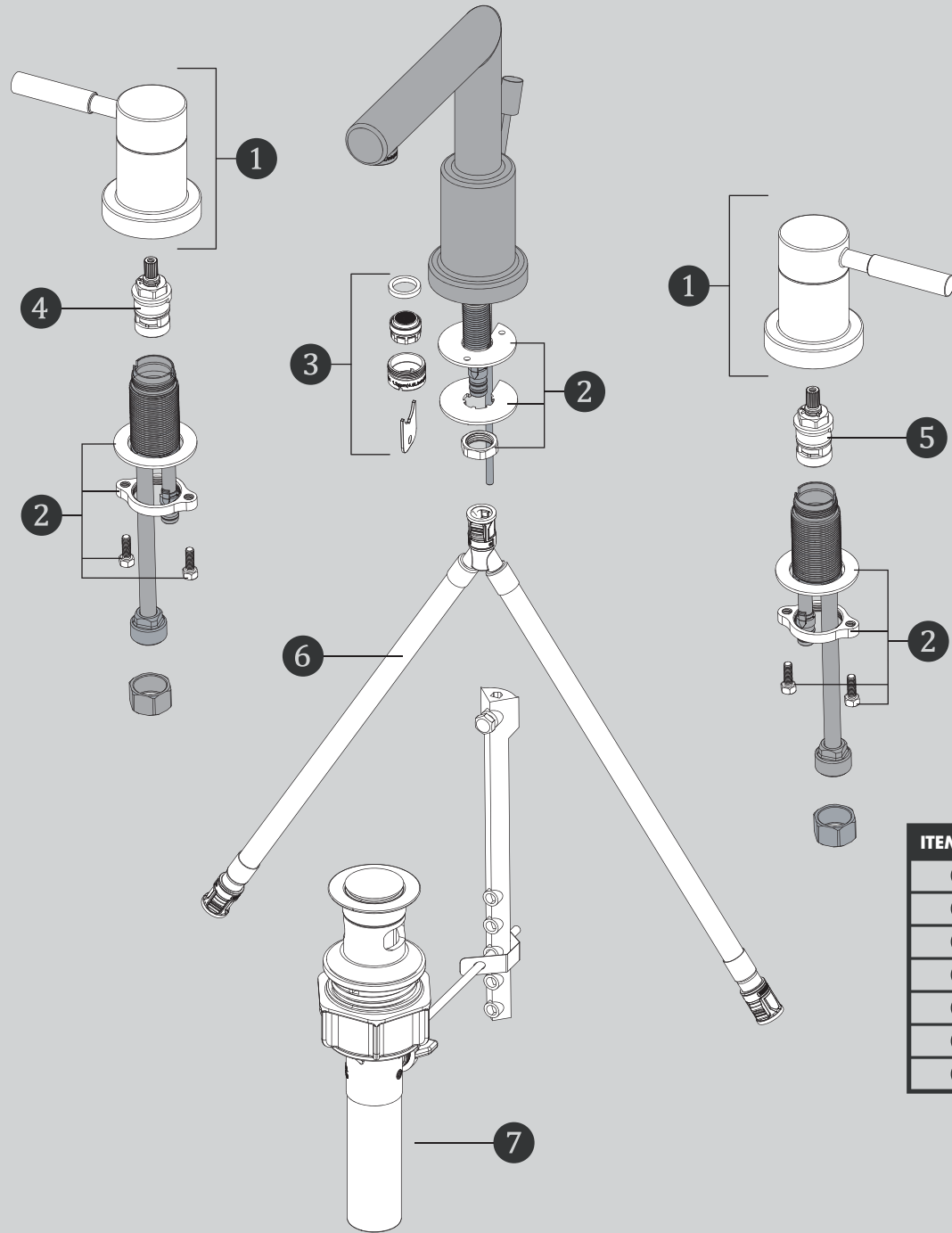


10 Place one end of Spring Clip **1**, on Pivot Rod **2**. Insert Pivot Rod **2** through a hole in the Lift Rod Strap **3**. Secure with Spring Clip **1**. Insert Lift Rod into Strap and secure with Nut **4**. Make remaining plumbing connections to your drain system.



11 **IMPORTANT:** After drain installation is completed, remove Aerator if installed, using supplied Aerator Wrench. Turn on water supply and allow both hot and cold water to run for at least one minute each. While water is running, check for leaks. Return the HOT and COLD handles to the "OFF" position. Replace Aerator.





ITEM NO.	PART NO.	DESCRIPTION
1	RPG04-0397-XX	HANDLE ASSEMBLY (XX = FINISH)
2	RPG45-0046	FASTENING NUT ASSEMBLY
3	RPG05-40053	AERATOR ASSEMBLY 1.2 GPM
4	RPG05-0889	HOT VALVE
5	RPG05-0890	COLD VALVE
6	RPG63-104494	TEE/HOSE
7	RPG24-0127-XX	POP-UP DRAIN ASSEMBLY (XX = FINISH)

SB-1021 ROUGH-IN DIAGRAM

NOTES:

COMPLIANCE:

ASME A112.18.1/CSA B 125.1
 AB1953
 NSF 372
 NSF 61

FLOW:

Flow Rate: 1.2 gpm
 Flow Type: Aerated

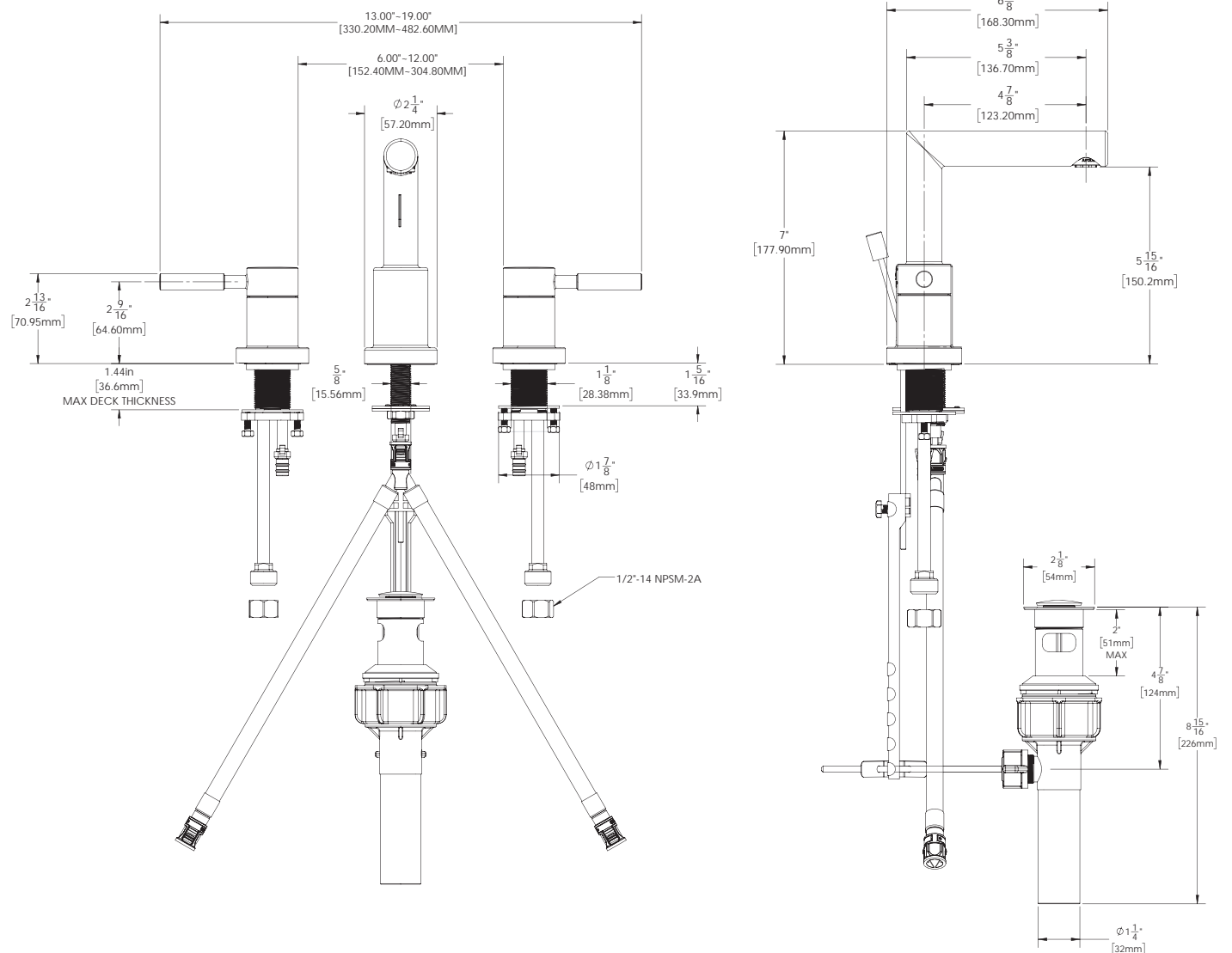
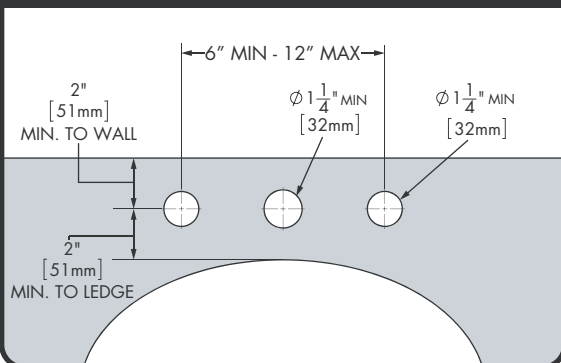
CONNECTIONS:

For flexible hose connection
 Hot Supply- 1/2" -14 NPSM
 Cold Supply- 1/2" -14 NPSM

For Hard pipe/copper tube connections
 Hot & cold- 1/2" tube connection
 with coupling nut

Contractor to supply necessary connections
 to the inlets of the end bodies.

LAVATORY ROUGH-IN



DIMENSIONS SUBJECT TO CHANGE WITHOUT NOTICE.